

FIRE CABINET

ASSEMBLY VIDEO

Scan the QR-code to
watch the assembly video



FIRE CABINET

ASSEMBLY MANUAL



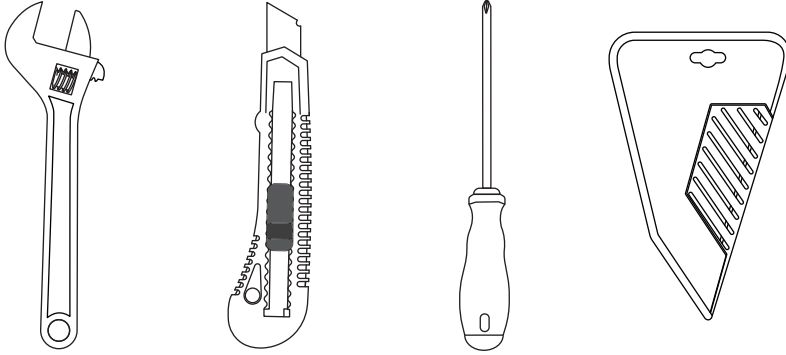
BRIDGEHILL®
WE SIMPLY BLOCK FIRE



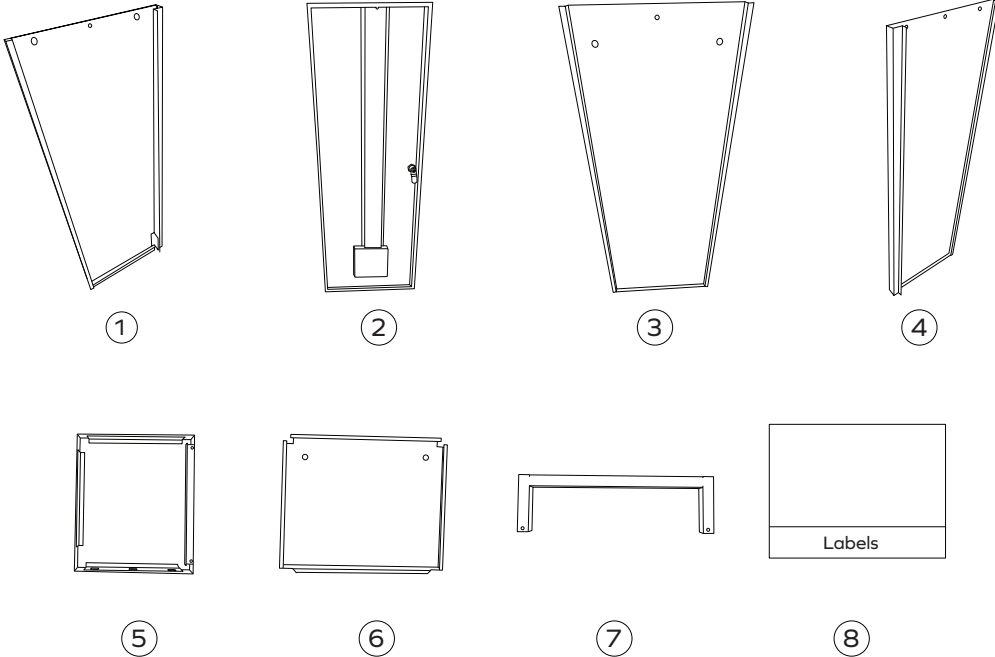
BRIDGEHILL®
WE SIMPLY BLOCK FIRE

What you need:

Wrench
Wallpaper knife
Screwdriver
Foil trowel



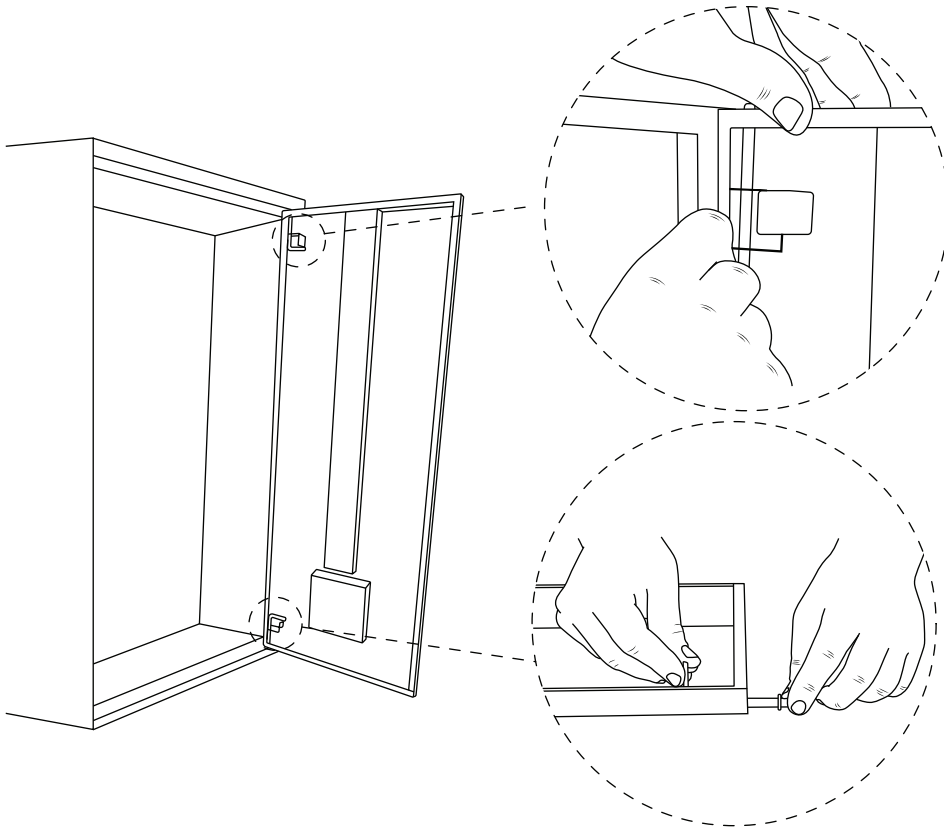
1. Side panel
2. Front panel
3. Back panel
4. Side panel
5. Top panel
6. Bottom panel
7. Metal bar/Stabilizer
8. Labels



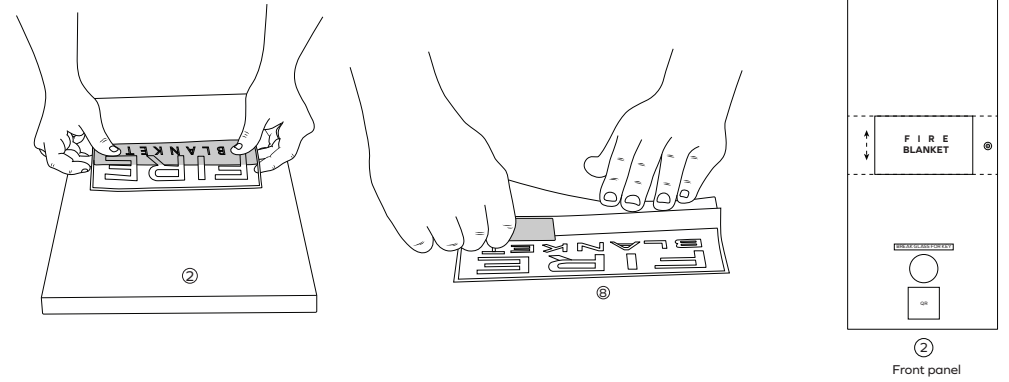
The finished fire cabinet



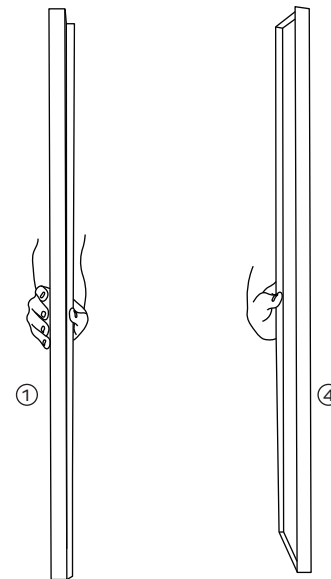
How to Assembly:



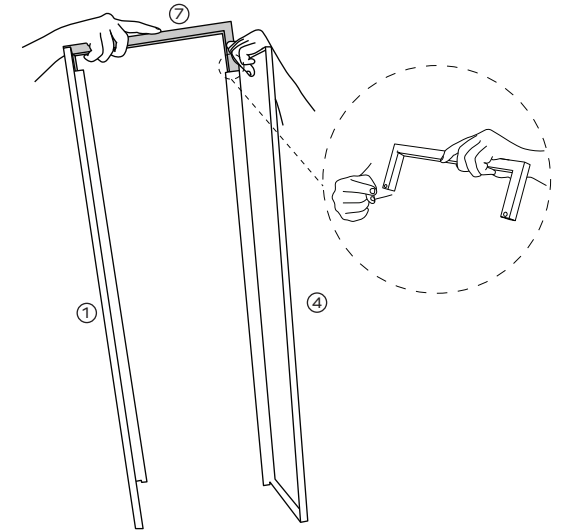
8. Put the door holders (a) in place on top and bottom of the door, then attach the door to the fire cabinet.



1. Start by attaching the labels (8) to the front panel (2).



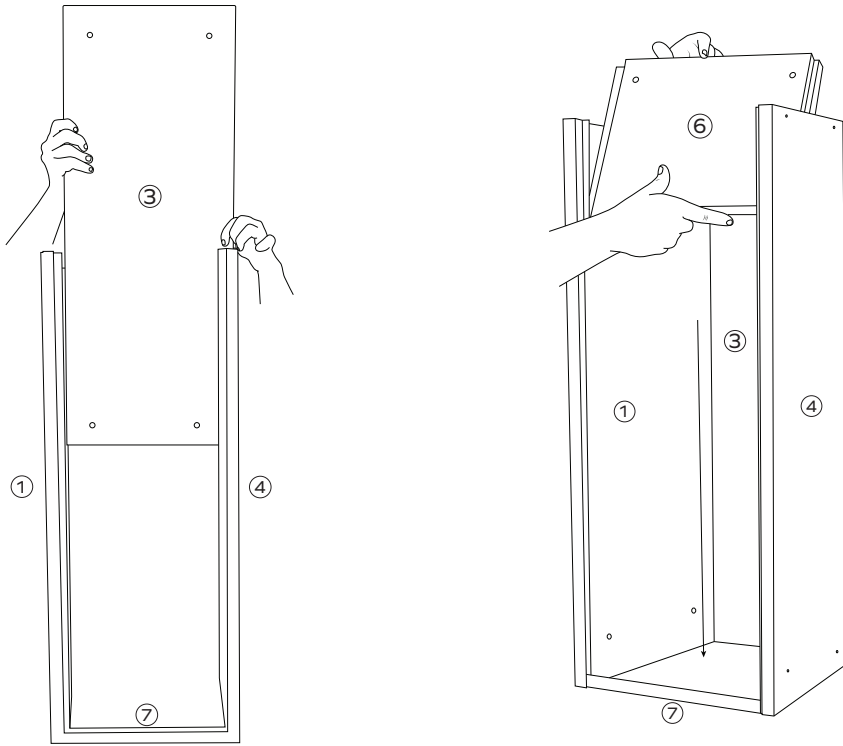
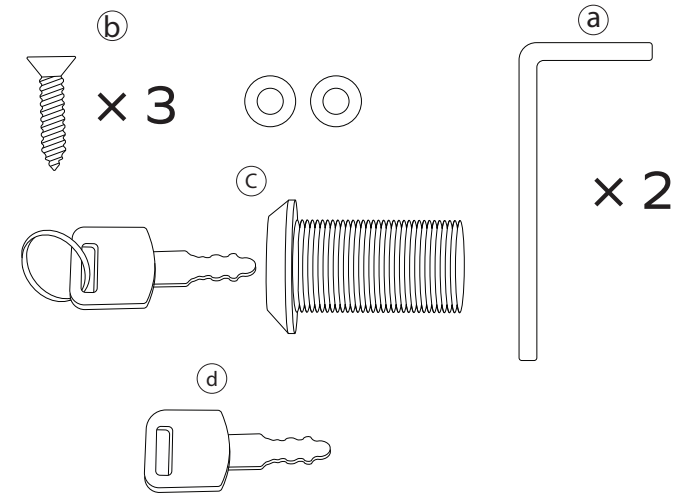
2. Grab the side panels (1) (4).



3. Put the metal bar (7) in place by leading it from the top to bottom. This will stabilize the fire cabinet.

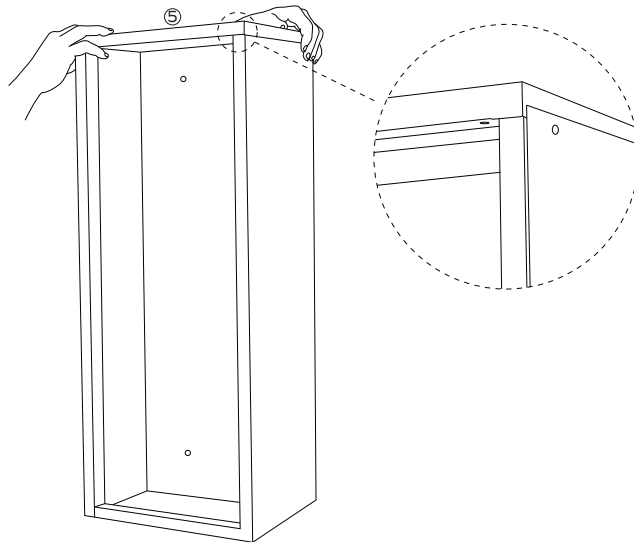
The door (front panel (2), the emergency key box and door lock:

- a) Door holders
- b) 3 screws
- c) Key and door lock
- d) Spare key

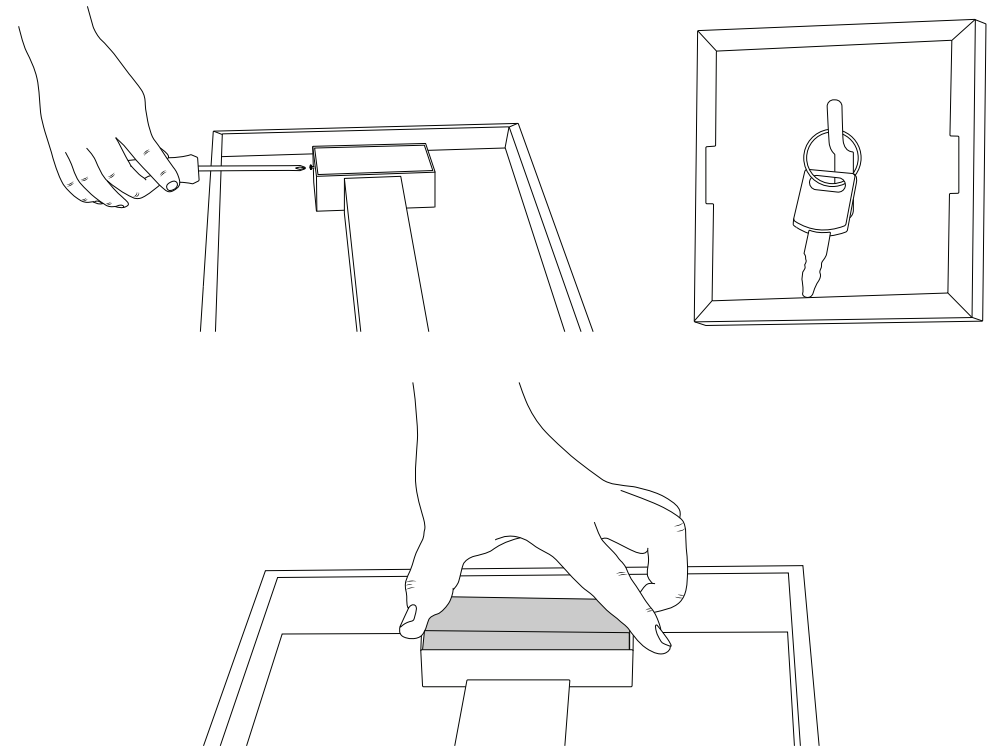


4. From the above lead the back panel (3) of the fire cabinet in place.

5. From the above lead the bottom panel (6) of the fire cabinet in place.



6. Now put the top panel (5) on the fire cabinet.



7. Disassemble the key box. Insert the spare key inside the key box. Mount the key box back in its original position securely.